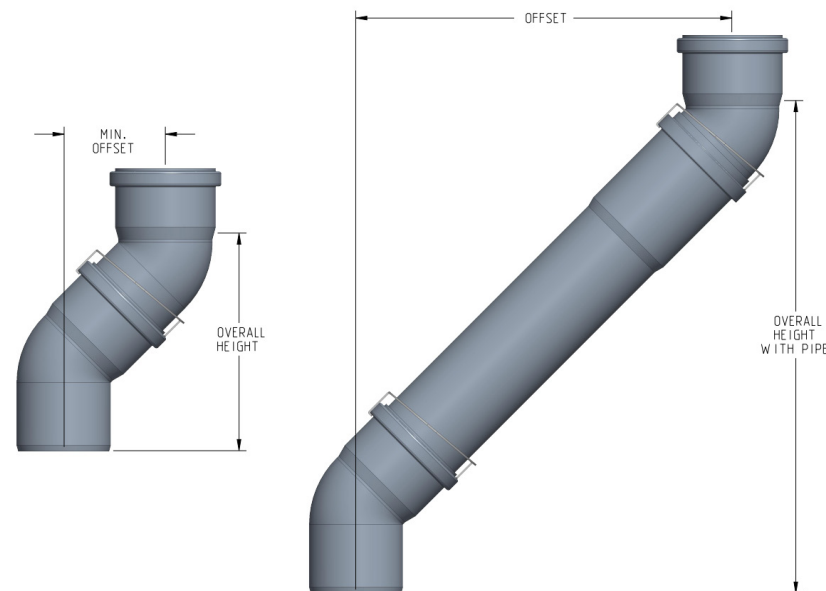




Centrotherm

solutions beyond



InnoFlue Polypropylene Vent Systems

Elbow Height / Offset Reference Guide

NOMINAL DIAMETER	SKU	Radius	Minimum Offset	Overall Height with no Pipe	Offset with 1' of Pipe	Overall Height with 1' of Pipe	Offset with 2' of Pipe	Overall Height with 2' of Pipe	Offset with 3' of Pipe	Overall Height with 3' of Pipe	Offset with 6' of Pipe	Overall Height with 6' of Pipe	Offset with 10' of Pipe	Overall Height with 10' of Pipe
2"	ISEL0215	15°	1.3	8.5	4	20	7.5	31	10.5	46	20	77.5		
	ISEL0230	30°	2.8	8.5	9	18.5	15	29	21	39.5	39	70.5		
	ISELS0245	45°	3.3	7.2	12.5	16.5	21	25	29.5	33.5	55	59		
3"	ISEL0315	15°	1.4	8.5	4	19	7.5	31	10.5	42.5	20	77		
	ISEL0330	30°	2.9	8.5	9	18	15	29	21	39	39	70		
	ISELS0345	45°	3.5	7.5	12.5	17	21	25	29.5	34	55	59		
4"	ISEL0415	15°	1.4	9.6	4.5	22	8	33.5	11	45	20	80		
	ISEL0430	30°	3	8.5	9	19.5	15	30	21	40	39	71		
	ISELS0445	45°	3.7	8.2	13	18	21.5	26	30	35	55	59		
6"	ISEL0615	15°	1.9	11.2	5	23	8	34	11	46	20	81	33	127
	ISEL0630	30°	3.1	12.3	9	23	15	34	21	44	39	75	63	117
	ISEL0645	45°	4.1	10.5	13.5	20	22	28	30.5	37	56	62	90	96
8"	ISELS0815	15°	1.4	11	6	32	9	43.5	12	55	21	90	34	136
	ISELS0830	30°	3.3	12.4	12	33	18	43.5	24	54	42	85	66	127
	ISELS0845	45°	5.5	13.3	14	22	22.6	30	31	38.6	56	64	90	98
10"	ISEL1015	15°	2.8	21.4	6	33	9	45	12	56.5	21.5	91	34	137.5
	ISEL1030	30°	6.7	25.2	13	36	19	46	25	56.5	43	88	67	129
	ISEL1045	45°	11.5	27.8	20	36	28.5	45	37	53	62.5	79	96.5	113
12"	ISEL1215	15°	4.9	37.3			11	60.5	14	72	23.5	106.5		
	ISEL1230	30°	11.1	41.8			23	62.5	29	73	47	104		
	ISEL1245	45°	18.3	44.5			35.5	61.5	44	70	70	95.5		