



InnoFlue®

Centrotherm

Polypropylene Vent Systems

SAVE TIME: Retrofit existing b-vent with InnoFlue Flex Kits

InnoFlue® Flex B-Vent Kit



Kit contains everything necessary to retro-fit an existing b-vent to exhaust flue gas.

Note: 2" kit requires coupler (shown). 3"/4" do not require coupler.

Kit contains:

- Flex Vent
- Base Support
- Flex End Pipe
- Spacers
- Connector Rings
- **Universal B-Vent Cap**
- Centrocerin Lubricant

For use with:

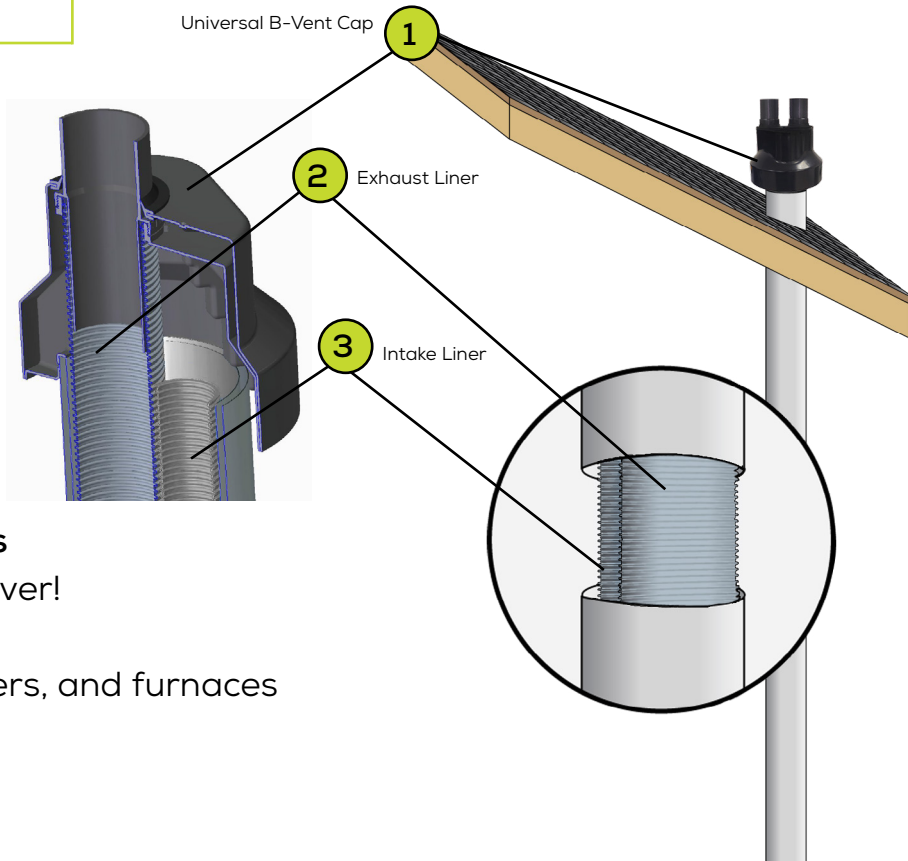
InnoFlue® Universal B-Vent Cap

Universal B-Vent Cap (IAUBVC) is easily configured for any installation. Terminate both exhaust and combustion air runs in single aesthetically pleasing component. B-Vent Cap comes with the InnoFlue Flex B-Vent Flex Kit and B-Vent Flex Component Kit.



Diameter	Part Number	Price
2"	IFBK02 Flex / B-Vent Kit	25'
		35'
		50'
3"	IFBK03 Flex / B-Vent Kit	25'
		35'
		50'
4"	IFBK04 Flex / B-Vent Kit	25'
		35'
		50'

Universal B-Vent Cap



- **Retrofit existing b-vent in minutes**
 - No glues, primers, or solvents ever!
- Exhaust / Intake Component Kits
- Approved for boilers, water heaters, and furnaces
- Handle Offsets up to 45°
- 2" - 4" Diameters

ULCS636



NOTE: InnoFlue Flex is for **VERTICAL** applications up to 45° - Use InnoFlue Single Wall for horizontal runs

Centrotherm Part Numbers



Flex Vent Coils (For use with Component Kit below)				
Diameter	25'	35'	50'	150'
2"	IFVL0225	IFVL0235	IFVL0250	IFVL02150
3"	IFVL0325	IFVL0235	IFVL0250	IFVL02150
4"	IFVL0425	IFVL0235	IFVL0250	N/A

Flex Vent Component Kits (For use with InnoFlue Flex above)		
Diameter	B-Vent Component Kit	Chimney Component Kit
2"	IFBKC02	IFCKC02
3"	IFBKC03	IFCKC03
4"	IFBKC04	IFCKC04

Diameter	Description	Part Number
2"	2" PVC to PP Adaptor	ISAAL0202
3"	3" PVC to PP Adaptor	ISAAL0303
3"	3" SS to PP Adaptor	ISSA0303
4"	4" PVC to PP Adaptor	ISAAL0404

Diameter	Description	Part Number
2"	2" Drain Tee	ISHDT02
3"	3" Drain Tee	ISHDT03
4"	4" Drain Tee	ISHDT04

Centrotherm InnoFlue Flex is UL-1738 tested & listed by InterTek Approved for use on all your trusted appliances.

Single Wall Vent Length (Effective)						
Diameter	1'	2'	2' (Black)	3'	6'	10'
2"	ISVL021	ISVL022	ISVL022UV	ISVL023	ISVL026	ISVL0210
3"	ISVL031	ISVL032	ISVL032UV	ISVL033	ISVL036	ISVL0310
4"	ISVL041	ISVL042	ISVL042UV	ISVL043	ISVL046	ISVL0410

Accessories					
Diameter	Support Clamp	Connector Ring	Birdscreen	Spacer	Base Support
2"	IASCM02	IANS02	IASPP02	IASPO2	ISBS0287
3"	IASCM03	IANS03	IASPP03	IASPO3	ISBS0387
4"	IASCM04	IANS04	IASPP04	IASPO4	ISBS0487

Elbows				
Diameter	45°	87°	45° (Black)	87° (Black)
2"	ISELS0245	ISELS0287	ISELLO245UV	ISELS0287UV
3"	ISEL0345	ISEL0387	ISELLO345UV	ISELLO387UV
4"	ISELS0445	ISELS0487	ISELLO445UV	ISELLO487UV

Concentric (two-in-one) Kits	
2"/4" Concentric Roof Kit	ICVKV24
2"/4" Concentric Wall Kit	ICVKH24
3"/5" Concentric Roof Kit	ICVKV35
3"/5" Concentric Wall Kit	ICVKH35

InnoFlue® Overview



InnoFlue® Quick Guide



InnoFlue® I&O Manual

